



## Stainless Steel Drawer Units



**DW 100 - 3.3 cu ft**

All Refrigerator or All Freezer  
Remote compressor



**DW 180 - 5.1 cu ft**

Fridge/Freezer, All Freezer, or All Fridge  
Ice Maker option in Freezer  
Integral compressor



**DW 210 - 6.4 cu ft**

Fridge/Freezer, All Freezer, or All Fridge  
Ice Maker option in Freezer  
Integral compressor



**DW 70 - 2.6 cu ft**

All Refrigerator or All Freezer  
Ice Maker option if Freezer  
Remote compressor

<u>Specifications</u>		<u>DW 70</u>	<u>DW 100</u>	<u>DW 180</u>	<u>DW 210</u>
<b>Volume</b>	Refrigerator compartment	2.6 cu ft	3.3 cu ft	2.3 cu ft	3.7 cu ft
	Freezer compartment			2.8 cu ft	2.7 cu ft
<b>Weight</b>	Total unit weight	70.5 lbs	68.3 lbs	110.2 lbs	121.2 lbs
<b>Power supply</b>	All models are available either as DC only, or AC and DC with automatic switching Models with incorporated ice maker are available in AC power configuration only.				
<b>DC Power</b>	Power Voltage (V)	12v or 24 v	12v or 24v	12v or 24 v	12v or 24 v
	Rated current (A) 12/24v	2.80/1.40	3.4/1.7	4.40/2.20	4.40/2.20
	Nominal input (W)	33.6	40	52.8	52.8
<b>AC Power</b>	Power Voltage (V)	115v or 230v	115v or 230v	115v or 230v	115v or 230v
	Rated current (A) 115/230v	0.32/0.15	0.50/0.23	0.50/0.23	0.50/0.23
	Nominal input (W)	35.28	40	55.4	55.4
<b>Cooling unit</b>	Integral cooling unit	-	-	Yes	Yes
	Remote cooling unit	Yes	Yes	-	-
<b>Door</b>	Magnetic closure	Standard	Standard	Standard	Standard
<b>Door finish</b>	Stainless steel	Standard	Standard	Standard	Standard
<b>Opening type</b>	Front opening drawer on sliders	Standard	Standard	Standard	Standard
<b>Mounting options</b>	Surface flange (Door proud)	Standard	Standard	Standard	Standard
	Flush Flange (Door flush w/ flange)	Option	Option	Option	Option

Details may not be exactly as shown. Contact Coastal to confirm details.

Dimensional data over:

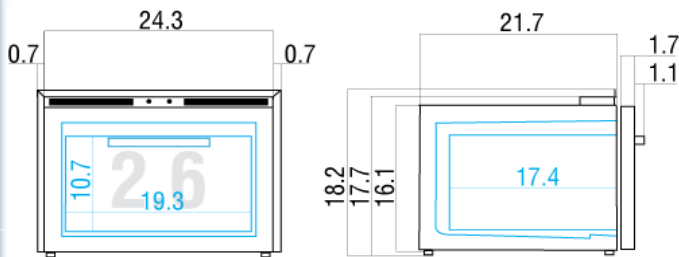
**NEW FEATURE!**

All drawer models are now available with Flush Flange and recessed latches.



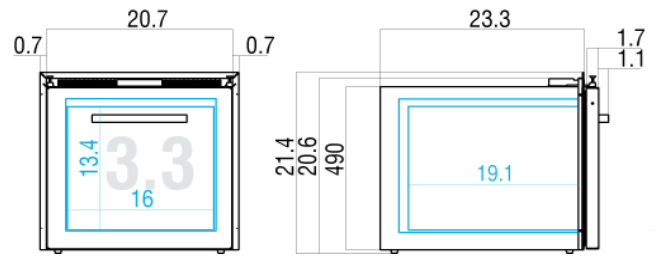
**DW 70**

Remote Compressor



**DW 100**

Remote Compressor

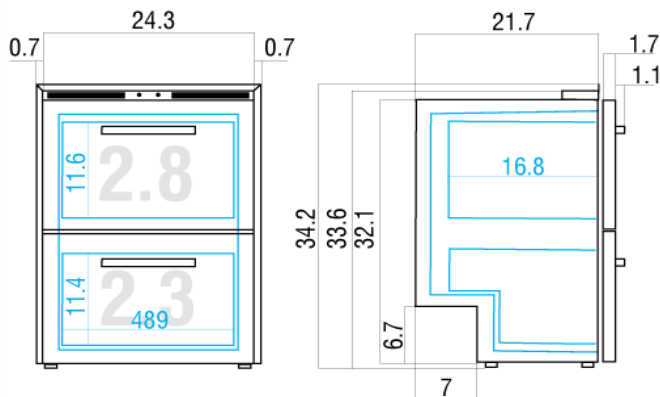


Dimensions shown are for Surface Flange (door proud) models.

Flush Flange models have cabinet depth increased by an additional 1.3" to those shown. Height and width are unchanged.

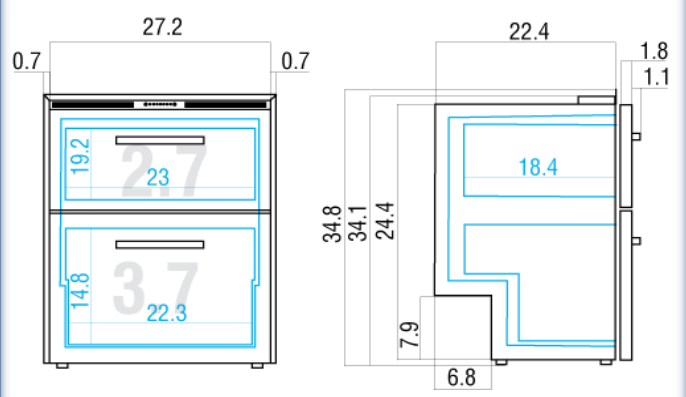
**DW 180**

Integral Compressor



**DW 210**

Integral Compressor



These and other Vitrifrigo models available from:



**Coastal Climate Control, Inc.**

4831 Telsa Drive - Suite H, Bowie MD 20715

www.vfsales.net www.CoastalClimateControl.com

Ph. 301-352-5738 info@vfsales.net