



**Vitrifrigo**  
AMERICA

Available through:



Coastal Climate Control, Inc.

## C62 and C90

Single-Door Refrigerator

Replacements for Norcold, Nova Kool, Tundra, and other single-door models



### C62i - Black Finish

12/24v DC (AC/DC optional)  
Refrigerator with freezer compartment  
Internal compressor



### C90i- Black Finish

12/24v DC (AC/DC optional)  
Refrigerator with freezer compartment  
Internal compressor

#### Specifications

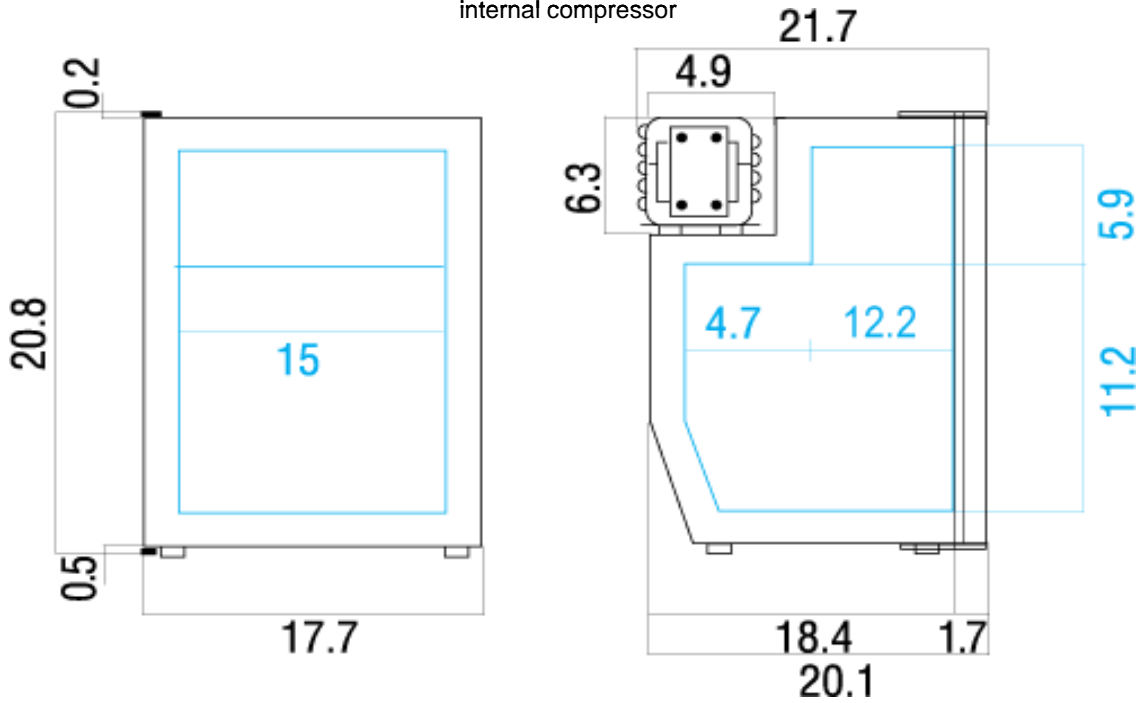
|   |                                   | <u>C62i - C62iAC</u> | <u>C90i - C90iAC</u> |
|---|-----------------------------------|----------------------|----------------------|
| <b>Volume</b>                             | Total (Cu Ft)                     | 2.2                  | 3.1                  |
|   | Freezer only                      | 0.4                  | 0.3                  |
| <b>Freezer internal size</b>              | Height (Inches)                   | 4.1                  | 5                    |
|   | Width (Inches)                    | 15.4                 | 15.4                 |
|   | Depth (Inches)                    | 9.8                  | 7.9                  |
| <b>Weight</b>                             | Lbs                               | 46.5                 | 51.8                 |
| <b>Technical features (DC)</b>            | Power Voltage (V)                 | 12 or 24 volt        | 12 or 24 volt        |
|   | Nominal input (W)                 | 36.3                 | 36.3                 |
|   | Nominal daily consumption (W)     | 320                  | 360                  |
| <b>Compressor</b>                         | Internal cooling unit             | yes                  | yes                  |
|   | External cooling unit             | no                   | no                   |
| <b>Technical features (AC) (Optional)</b> | Power Voltage (V)                 | 115/230 - 60/50 Hz   | 115/230 - 60/50 Hz   |
|   | Nominal input (W)                 | 38.1                 | 38.1                 |
|   | Nominal daily consumption (W)     | 330                  | 370                  |
| <b>Standard</b>                           | Interchangeable door              | standard             | standard             |
|   | Magnetic closure                  | standard             | standard             |
|   | Internal light                    | standard             | standard             |
| <b>Door finish</b>                        | Black vinyl interchangeable panel | standard             | standard             |
| <b>Opening type</b>                       | Front opening                     | standard             | standard             |
| <b>Mounting options</b>                   | Flush flange                      | yes                  | yes                  |
|   | Bottom trim piece                 | optional             | optional             |

Dimensional data over:



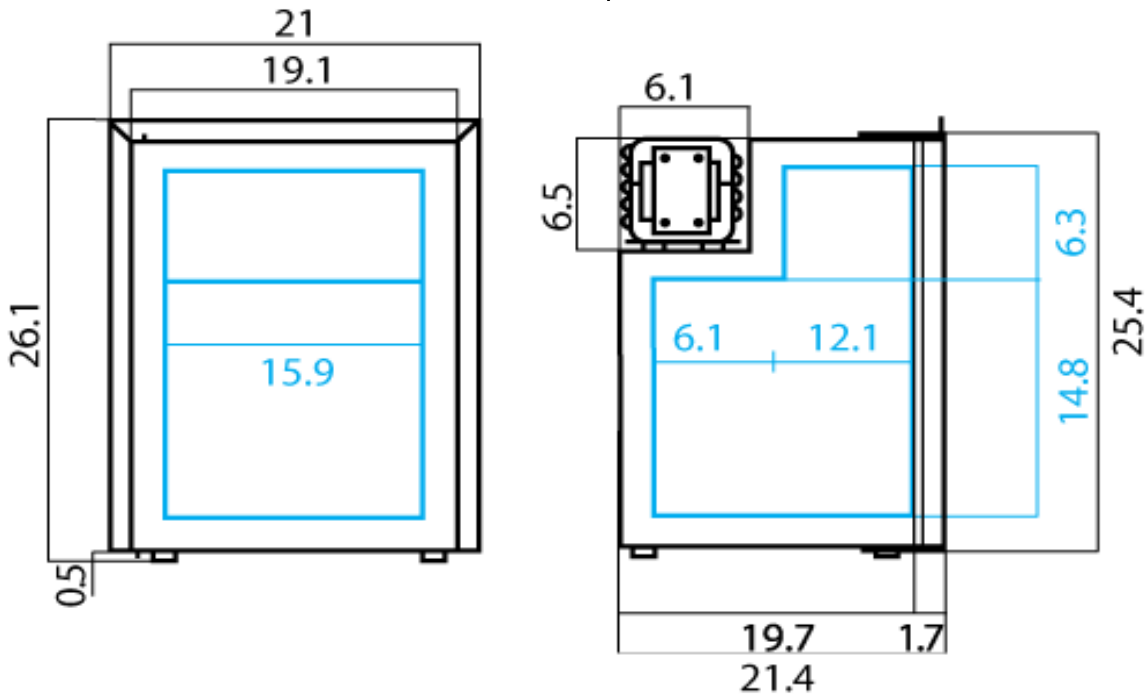
### C62i

internal compressor



### C90i

internal compressor



These and other Vitrifrigo models available from:



**Coastal Climate Control, Inc.**

4831 Telsa Drive - Suite H, Bowie MD 20715

Ph. 301-352-5738

info@coastalclimatecontrol.com

www.coastalclimatecontrol.com

www.vfsales.net